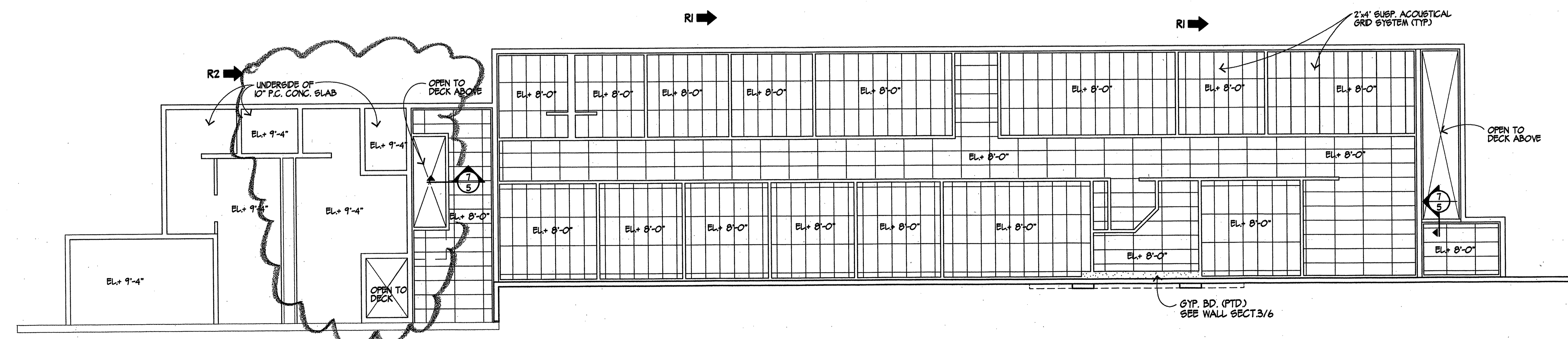
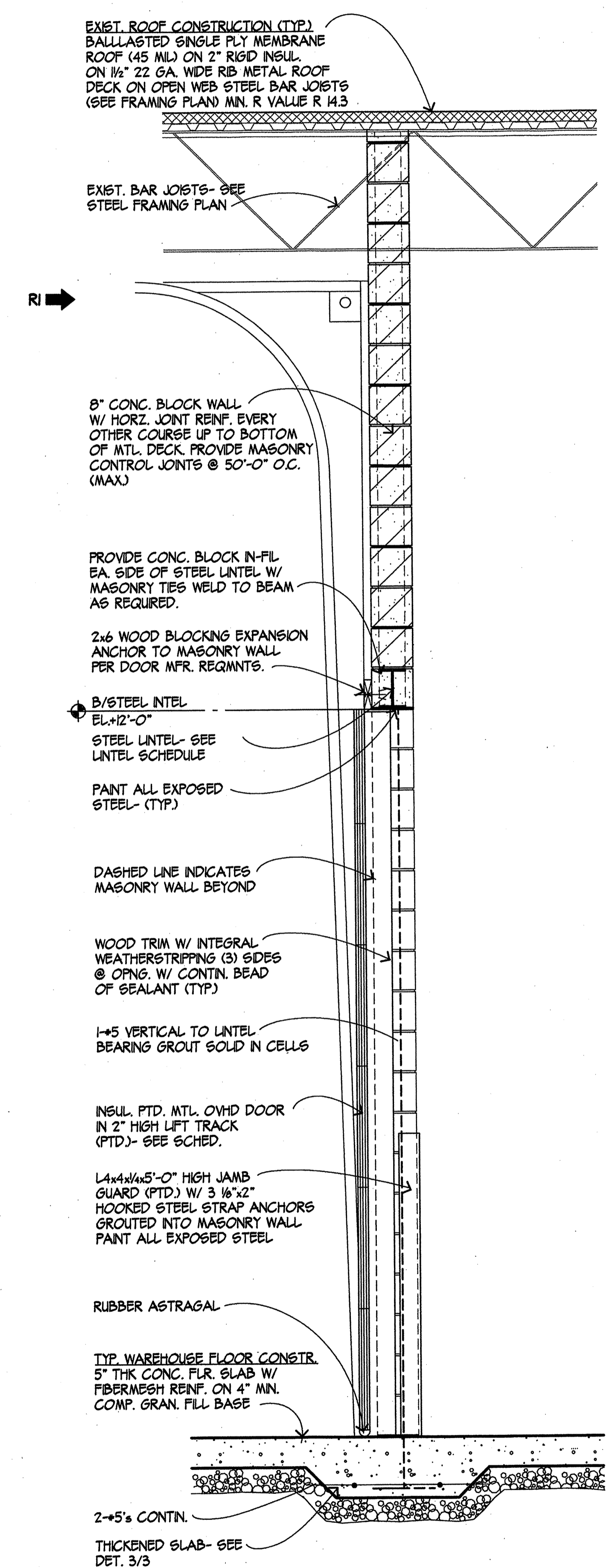
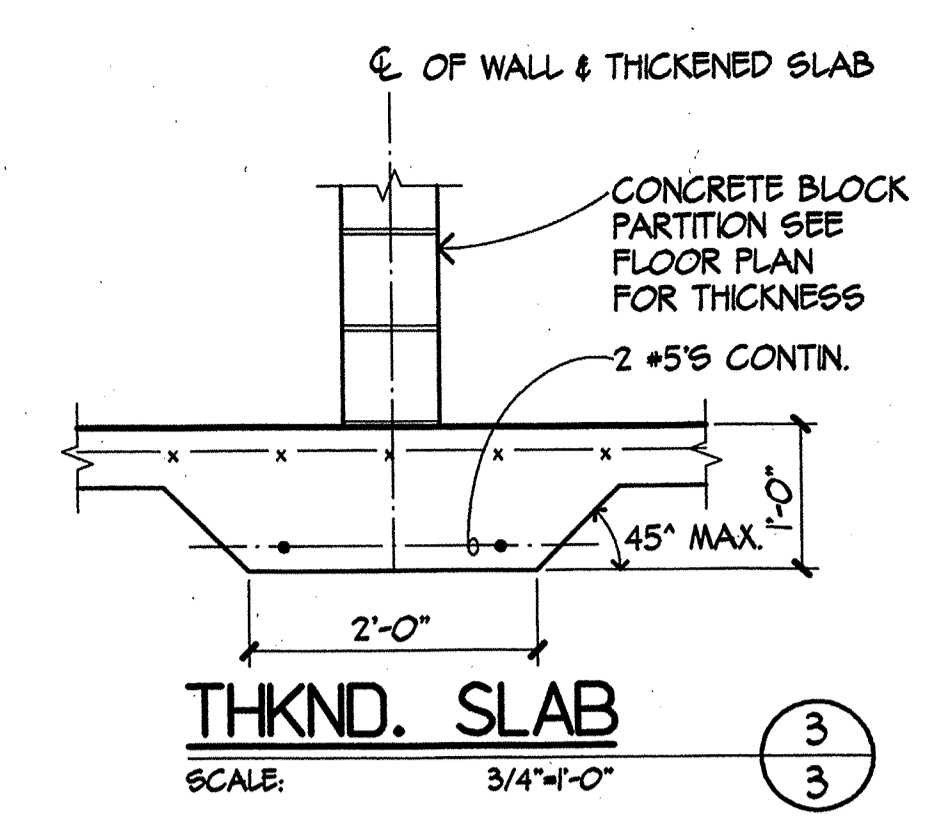
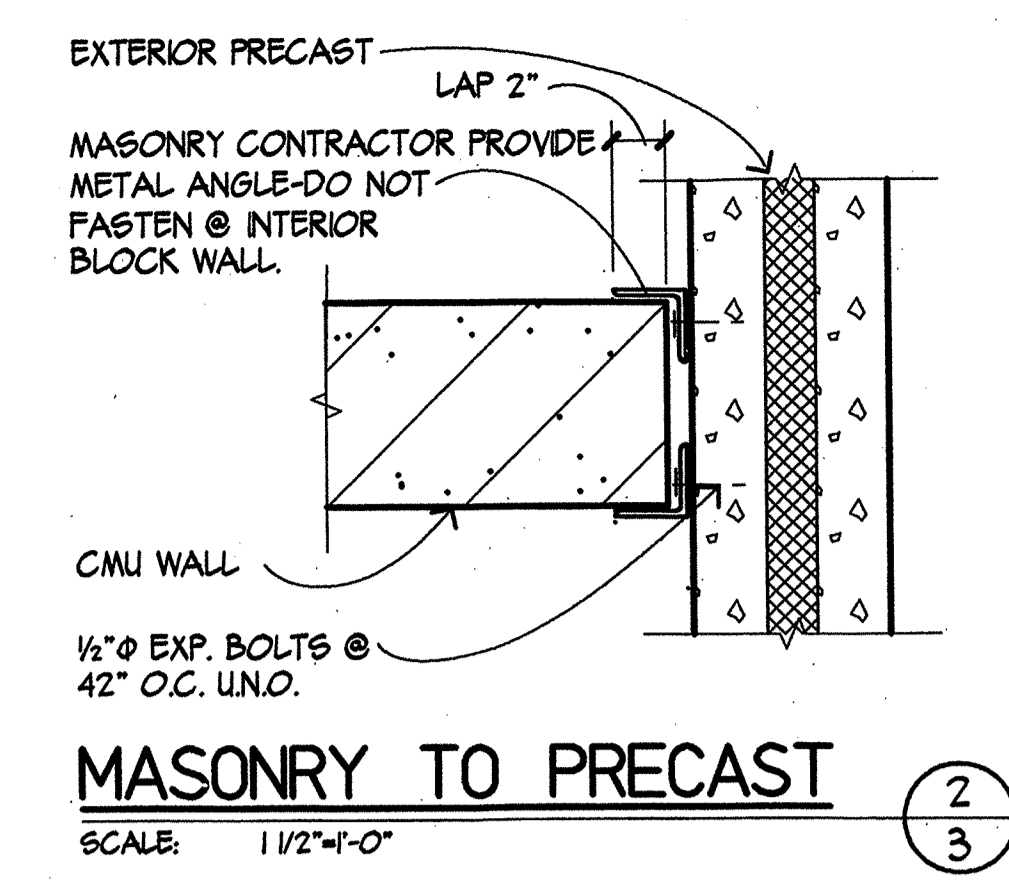


**FLOOR PLAN**  
SCALE: 1/16"=1'-0"



NOTE:  
NEW CONSTRUCTION NOTES  
ARE HIGHLIGHTED WITH  
DARKER PEN



IHC Builders  
DESIGNERS  
BUILDERS  
Division of IHC Group, Inc.  
847/742-8500  
P.O. Box 546 Elgin, IL 60120

**IHC GROUP**

HARRIS ARCHITECTS INC.  
6811 HANSON AVENUE PALM BEACH, ILLINOIS 60074/815 708-0005  
COPYRIGHT © 2011 BY PATRICK C. HARRIS

**AMTEC/HARKOW PARTNERSHIP**  
NEW INTERIOR OFFICE AREA AND MEZZANINE FOR:  
HOLMES & DAVIS ROADS  
ELGIN, ILLINOIS

PROJECT NO. 98/73  
DRAWN BY: G.L.  
DATABASE: AMTEC/DB

SHEET NO. 3  
3 OF 12 SHEETS